

ENER-J®

Smart Home Living

Smart Cylinder Doorlock

Suitable for all the Doors with Thickness 35mm-70mm



Smart Adjustable Cylinder Bluetooth Doorlock with fingerprint and code unlocking, ENERJSMART APP

**SKU CODE:
SHA5349**

**Ean Code on box:
5060774556863**

Certifications



Packing

Inner Qty

1pcs / pack, 5pc / Inner carton

Outer Carton Qty

10pc / Carton

Accessories

1 x Long Cover

1 x Long Screw M4 (for Long Cover)

1 x Allen wrench

2 x Keys



Smart Cylinder Doorlock

Suitable for all the Doors with Thickness 35mm-70mm

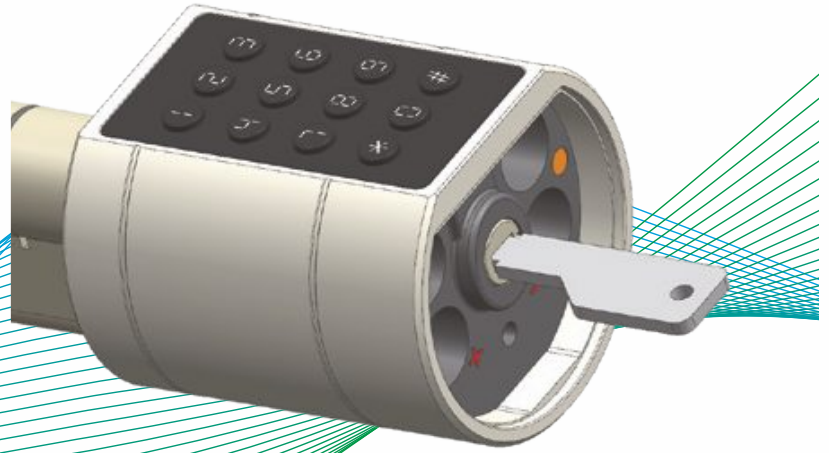


Features:

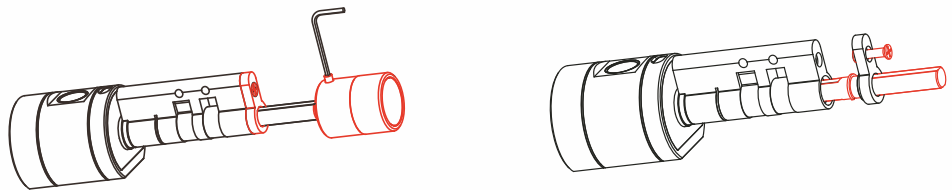
- Easy installation: easy to replace existing lock cylinder without drilling hole on the door or replacing lock body.
- Patented adjustment structure: adjustable for different door thickness, and easy to make adjustments.
- Multiple ways to unlock: fingerprint, passcode, keys and App by Bluetooth.
- Compact size, unique and innovative design, it can apply to various styles of doors.
- It doesn't require any external electrical cable, best flexibility and cost effectiveness of installation.
- No fear of empty batteries: if your batteries run out, you can use a portable charger to unlock your door.
- All unlocked records will be synced to app, so that you can see exactly who has been entering your home and when.
- Temporary access passcode: give your trusted people the authorization to open the door using a temporary passcode.

Smart Cylinder Doorlock

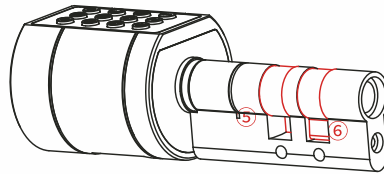
Suitable for all the Doors with Thickness 35mm-70mm



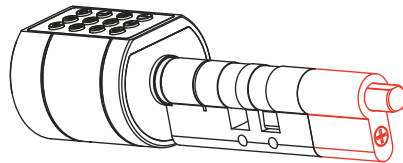
Adjust Cylinder Cam



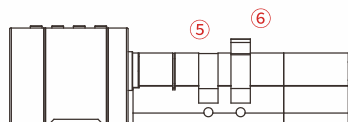
1. According to the above figure, use Allen Wrench to remove Knob ① by loosening the screw on Knob ①. And use a screwdriver to loosen Short Screw M4 ⑦ on Short Cover ④, and then remove Short Cover ④ and Spindle ②.



2. Remove Ring ⑤ and Cylinder Cam ⑥, and swap their position according to the above figure.



3. According to the above figure, insert Spindle ② to its original position, and then install Long Cover ③ by screwing Long Screw M4 ⑧ tightly.



4. Confirm the position of Ring ⑤ and Cylinder Cam ⑥ according to the above figure, and then the adjustment of cylinder cam is finished, and the next step is to install lock on the door.

Smart Cylinder Doorlock

Suitable for all the Doors with Thickness 35mm-70mm

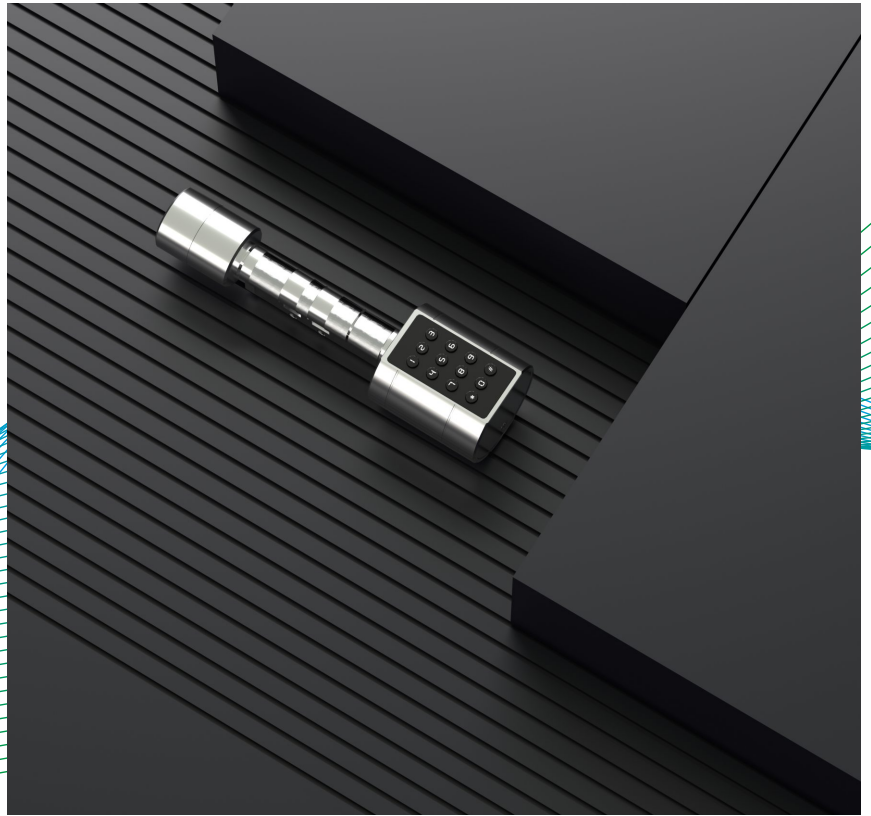


PARAMETERS

Materials	High Density Aluminium Alloy
Surface Treatment	Anodization
Fingerprint Reader	Living fingerprint recognition, 0.5 second speed recognition
Fingerprint Capacity	100
Passcode Capacity	100
Temporary Passcode Capacity	10
APP	ENERJSMART (Bluetooth)
Unlock Mode	Fingerprint, Passcode, App, Keys
Fingerprint Resolution	500 DPI
False Accept Rate	(FRA) <0.001%
Power Supply	4 PCS AAA Battery (Not Included)
Backup Power	USB Interface
Battery Life	1 year
Door Thickness	Adjustable 35mm-70mm
Work Temperature	-20~65°C
Working Relative Humidity	20%RG-90%RH
Colour	Silver

Smart Cylinder Doorlock

Suitable for all the Doors with Thickness 35mm-70mm



Warning

- Please check the package received is not damaged and is unopened.
- Ensure the Solar product is charged for at least 6-8 hours before first-time use.
- The distance between the light fixture and any flammable materials must be more than 20cm.
- Please read the manual carefully to understand the features of the product.
- Kindly keep the unit away from children.
- Kindly keep the fixture away from open flames or external heat sources, or UV rays.
- For recycling, kindly follow the local norms such as WEE.

Thank you for choosing ENER-J!

Customer satisfaction is our TOP priority, please let us know how you felt about your experience. Happy? We are so happy that you are pleased with our product. Feel free to express your newfound joy! Share your experience by writing a review.

Not Happy? If you are not fully satisfied with the item you received, have any problems like damages, or questions, please contact us. We typically respond within 24-48 hours.

Stuck? Confused?

Contact our Technical Support team on:

T: +44 (0)1291 446 105 E: support@ener-j.co.uk

Lines are open Mon - Fri (8am to 4pm)